

(1) EU-TYPE EXAMINATION CERTIFICATE



- (2) Equipment and Protective Systems intended for use in
Potentially Explosive Atmosphere - **Directive 2014/34/EU**
- (3) EU-Type Examination Certificate Number

TÜV 16 ATEX 7946 X

Issue: 00

- (4) Equipment: **Explosion - Proof Network Bullet Camera**
Type(s): DS-2XE6212F-IS, DS-2XE6222F-IS, DS-2XE6232F-IS, DS-2XE6242F-IS
DS-2XE6252F-IS, DS-2XE6262F-IS, DS-2XE6282F-IS
- (5) Manufacturer: **Hangzhou Hikvision Digital Technology Co.,Ltd.**
- (6) Address: **No. 555, Qianmo Road, Binjiang District
Hangzhou, Zhejiang, P.R. China**
- (7) This product and any acceptable variation thereto are specified in the schedule to this certificate and the documents therein referred to.
- (8) The TÜV Rheinland Zertifizierungsstelle für Explosionsschutz of TÜV Rheinland Industrie Service GmbH, Notified Body No. 0035 in accordance with Article 21 of the Council Directive 2014/34/EU of 26th February 2014, certifies this product which has been found to comply with the Essential Health and Safety Requirements relating to the design and construction of equipment and protective systems intended for use in potentially explosive atmosphere, given in Annex II to the Directive.

The examination and test results are recorded in the confidential report GC / Ex 7946.00 / 16. Compliance with the Essential Health and Safety Requirements, with the exception of those listed in the schedule of this certificate, has been assessed by reference to:

EN 60079-0: 2012

EN 60079-1: 2014

EN 60079-31: 2014

- (10) If the sign "X" is placed after the certificate number, it indicates that the equipment is subject to special conditions for safe use specified in the schedule to this certificate.
- (11) This EU-Type Examination Certificate relates only to the design and specification for construction of the equipment or protective system. It does not cover the process for actual manufacture or supply of the equipment or protective system, for which further requirements of the directive are applicable.



II 2G Ex db IIC T6 Gb

II 2D Ex tb IIIC T80°C Db IP68

TÜV Rheinland Zertifizierungsstelle für Explosionsschutz

Cologne, *2016-11-02*

Dipl.-Ing. Klauspeter Graffi

This EU-Type Examination Certificate without signature and stamp shall not be valid.
This EU-Type Examination Certificate may be circulated only without alteration. Extracts or alterations are subject to approval by the
TÜV Rheinland Industrie Service GmbH TÜV Rheinland Group Am Grauen Stein 51105 Köln
Tel. +49 (0) 221 806-0 Fax. + 49 (0) 221 806 114

(13) Annex

(14) **EU Type Examination Certificate**
TÜV 16 ATEX 7946 X Issue: 00

(15) Description of equipment

15.1 Equipment and type:

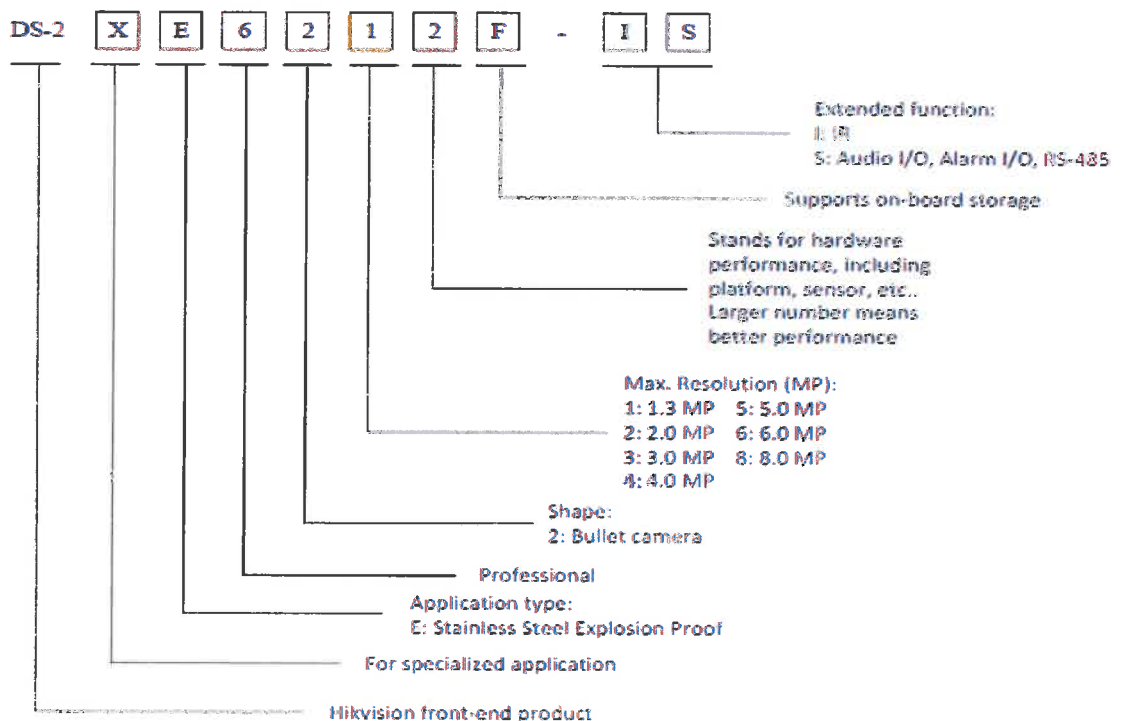
Explosion -Proof Network Bullet Camera

Type(s): DS-2XE6212F-IS, DS-2XE6222F-IS, DS-2XE6232F-IS, DS-2XE6242F-IS, DS-2XE6252F-IS, DS-2XE6262F-IS, DS-2XE6282F-IS

15.2 General product information

Model and type designation of the product:

Explanation of model naming:



This EU Type Examination Certificate without signature and official stamp shall not be valid.
This certificate may be circulated without alteration. Extracts or alterations are subject to approval by:
Zertifizierungsstelle of TÜV Rheinland Industrie Service GmbH

Main technical data:

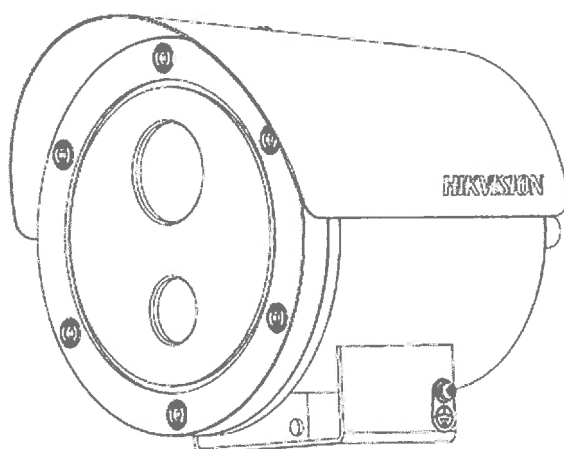
Rated Current (A): $\leq 1000\text{mA}$

Rated Voltage (V): 100VAC– 240VAC

Description:

The Explosion -Proof Network Bullet Camera is a surveillance product capable of video/audio collecting, smart encoding and network transmitting. It adopts an embedded system and a high-performed hardware process platform to achieve good stability and reliability.

The product adopts a stainless steel enclosure, receiving an IP68 rating for ingress protection. And it apply to oil industry, mine fields, chemical industry, port, grain processing industry, etc.



Technical Data

Rated Current (A)	$\leq 1000\text{mA}$
Rated Voltage (V)	100VAC– 240VAC
Ambient temperature range	$-30^{\circ}\text{C} \leq T_a \leq +60^{\circ}\text{C}$
Ingress protection	IP68

This EU Type Examination Certificate without signature and official stamp shall not be valid.
This certificate may be circulated without alteration. Extracts or alterations are subject to approval by:
Zertifizierungsstelle of TÜV Rheinland Industrie Service GmbH

(16) Test-Report No. GC / Ex 7946.00 / 16

(17) Special Conditions for safe use

1. Ambient temperature: $-30^{\circ}\text{C} \leq T_a \leq +60^{\circ}\text{C}$
2. WARNING - Do not open when energized.
3. When assembly, operation and maintenance, the operator must follow the requirements of the EN 60079-14: latest version Explosive atmospheres- Part 14: Electrical installations design, selection and erection, beside of the manufacturer's operating instructions or its National equivalent.
4. Repair and overhaul shall comply with EN 60079-19: latest version or its National equivalent.

(18) Basic Safety and Health Requirements

Covered by afore mentioned standard

TÜV Rheinland Zertifizierstelle für Explosionsschutz

Cologne, 2016-11-02

Dipl.-Ing. Klauspeter Graff



This EU Type Examination Certificate without signature and official stamp shall not be valid.
This certificate may be circulated without alteration. Extracts or alterations are subject to approval by:
Zertifizierungsstelle of TÜV Rheinland Industrie Service GmbH