

DS-2XE6242F-IS, DS-2XE6242F-IS/316L 4 MP Explosion-Proof Network Bullet Camera



II 2 G D Ex db IIC T6 Gb/Ex tb IIIC T80°C Db IP68
Ex db IIC T6 Gb/Ex tb IIIC T80°C Db IP68

Key Features

- Up to 4 megapixel high resolution
- 4 mm/6 mm/8 mm/12 mm lens optional
- 120dB Wide Dynamic Range
- H.265, H.265+, H.264, H.264+
- Three video streams
- 6 behavior analyses, 2 exception detections, 1 recognition
- Support on-board storage, up to 128GB
- Housing material: stainless steel 304 and 316L, optional
- IR range: 30 m
- AC 100V to 240V/PoE
- IK10



Specifications

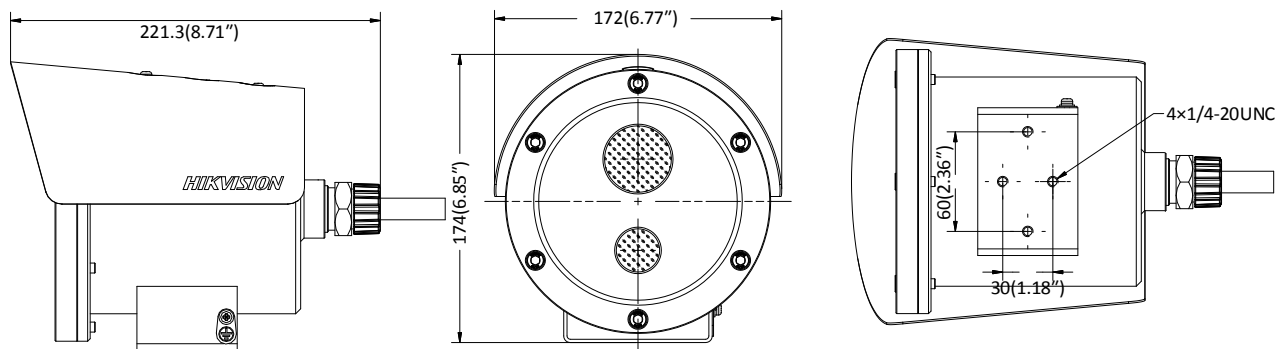
Camera	
Image Sensor	1/3" Progressive Scan CMOS
Min. Illumination	0.01Lux @(F1.2,AGC ON) ,0 Lux with IR on
Shutter Speed	1 s to 1/100,000 s, support slow shutter
Lens	4 mm, horizontal field of view: 83° 6 mm, horizontal field of view: 55.4° 8 mm, horizontal field of view: 38.5° 12 mm, horizontal field of view: 24.7°
Lens Mount	M12
Day &Night	IR cut filter
DNR	3D DNR
Wide Dynamic Range	120dB
Compression Standard	
Video Compression	Main stream: H.265/H.264 Sub stream: H.265/H.264/MJPEG Third stream: H.265/H.264
H.264 Type	Baseline profile/main profile/high profile
H.264+	Support
H.265 Type	Main profile
H.265+	Support
Video Bit Rate	32 Kbps to 16 Mbps
Image	
Max. Resolution	2560 × 1440
Main Stream Max. Frame Rate	50Hz: 25fps (2560 × 1440, 1920 × 1080, 1280 × 960, 1280 × 720) 60Hz: 24fps (2560 × 1440, 1920 × 1080, 1280 × 960, 1280 × 720)
Sub Stream Max. Frame Rate	50Hz: 25fps (704 × 576, 640 × 480, 352 × 288, 320 × 240) 60Hz: 24fps (704 × 480, 640 × 480, 352 × 240, 320 × 240)
Third Steam Max. Frame Rate	50Hz: 1fps (1920 × 1080, 1280 × 960, 1280 × 720, 704 × 576, 640 × 480, 352 × 288, 320 × 240) 60Hz: 1fps (1920 × 1080, 1280 × 960, 1280 × 720, 704 × 480, 640 × 480, 352 × 240, 320 × 240)
Image Enhancement	BLC/3D DNR
Image Settings	Support rotate mode. Saturation, brightness, contrast, etc., adjustable by client software or web browser
Region of Interest	Support 4 customized region for each stream, and face dynamic tracking
Target Cropping	Support
Day/Night Switch	Auto/Schedule/Triggered by Alarm In
Picture Overlay	LOGO picture can be overlaid on video with 128 × 128 24bit bmp format
Network	
Network Storage	Support microSD/SDHC/SDXC card (up to 128 GB) local storage and NAS (NFS,SMB/CIFS), ANR
Alarm Trigger	Motion detection, tampering alarm, HDD full, HDD error, network disconnected, IP address conflicted, illegal login
Protocols	TCP/IP, ICMP, HTTP, HTTPS, FTP, DHCP, DNS, DDNS, RTP, RTSP, RTCP
Standard	ONVIF (PROFILE S, PROFILE G), ISAPI
General Function	Mirror, anti-flicker, heartbeat, watermark, password protection, privacy mask

Interface	
Communication Interface	1 RJ45 10M/100M self-adaptive Ethernet port
Alarm	2 alarm input, 2 alarm output
On-board Storage	Built-in microSD/SDHC/SDXC slot, up to 128GB
Smart Feature-set	
Behavior Analysis	Line crossing detection, intrusion detection, region entrance detection, region exiting detection, unattended baggage detection, object removal detection
Line Crossing Detection	Cross a pre-defined virtual line
Intrusion Detection	Enter and loiter in a pre-defined virtual region
Region Entrance Detection	Enter a pre-defined virtual region from the outside place
Region Exiting Detection	Exit from a pre-defined virtual region
Unattended Baggage	Objects left over in the pre-defined region such as the baggage, purse, dangerous materials
Object Removal	Objects removed from the pre-defined region, such as the exhibits on display.
Exception Detections	Scene change detection, defocus detection
Recognition	Face detection recognition
General	
Operating Conditions	-30°C to +60 °C (-22 °F to +140 °F), Humidity 95% or less (non-condensing)
Power Supply	AC 100 V to 240 V, 0.1A, terminal block PoE (802.3af, class 3), 0.2A
Power Consumption	Max. 7W
Ingress Protection	IK10
IR Range	30 m
Housing Material	DS-2XE6242-IS: Stainless steel 304 DS-2XE6242-IS/316L: Stainless steel 316L
Explosion-Proof	ATEX: Ex II 2 G D Ex db IIC T6 Gb/Ex tb IIIC T80°C Db IP68 IECEx: Ex db IIC T6 Gb/Ex tb IIIC T80°C Db IP68
Dimensions	Camera: 221.3 × 174 × 172 mm (8.71" × 6.85" × 6.77") Package: 435 × 255 × 285 mm (17.1" × 10" × 11.2")
Weight	7.4 kg (3.4 lb.)

Available Models

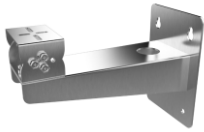
DS-2XE6242F-IS (4/6/8/12mm), DS-2XE6242F-IS/316L(4/6/8/12mm)

Dimension

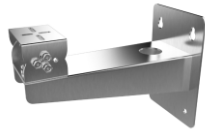


Unit: mm(inch)

Accessories



DS-1704ZJ-Y
Wall mount
(316L stainless steel)



DS-1704ZJ
Wall mount
(304 stainless steel)



DS-1706ZJ
PT joint
(304 stainless steel)



DS-1712ZJ
Pendant mount
(304 stainless steel)



DS-1677ZJ-XS-1.0 (D)
Flexible conduit



DS-2780ZJ-X,
DS-2780ZJ-X/316L
Explosion-proof terminal box

Distributed by



HIKVISION®

Headquarters

No.555 Qianmo Road, Binjiang District,
Hangzhou 310051, China
T +86-571-8807-5998
overseasbusiness@hikvision.com

Hikvision USA
T +1-909-895-0400
sales.usa@hikvision.com

Hikvision Italy
T +39-0438-6902
info.it@hikvision.com

Hikvision Singapore
T +65-6684-4718
sg@hikvision.com

Hikvision Africa
T +27 (10) 0351172
sale.africa@hikvision.com

Hikvision Europe
T +31-23-55-42-770
info.eu@hikvision.com

Hikvision France
T +33(0)1-85-330-450
info.fr@hikvision.com

Hikvision Oceania
T +61-2-8599-4233
salesau@hikvision.com

Hikvision Hong Kong
T +852-2151-1761

Hikvision Middle East
T +971-4-8816086
salesme@hikvision.com

Hikvision Spain
T +34-91-737-16-55
info.es@hikvision.com

Hikvision Canada
T +1-909-895-0400
sales.usa@hikvision.com

Hikvision Russia
T +7-495-669-67-99
saleru@hikvision.com

Hikvision Poland
T +48-22-460-01-50
poland@hikvision.com

Hikvision Korea
T +82-31-731-8841
sales.korea@hikvision.com

Hikvision India
T +91-22-28469900
sales@pramahikvision.com

Hikvision UK
T +01628-902140
support.uk@hikvision.com

Hikvision Brazil
T +55 11 3318-0050
Latam.support@hikvision.com