



IECEx Certificate of Conformity

INTERNATIONAL ELECTROTECHNICAL COMMISSION IEC Certification Scheme for Explosive Atmospheres

for rules and details of the IECEx Scheme visit www.iecex.com

Certificate No.: IECEx TUR 16.0047X Issue No: 0 Certificate history:
Issue No. 0 (2016-11-02)

Status: Current Page 1 of 3

Date of Issue: 2016-11-02

Applicant: Hangzhou Hikvision Digital Technology Co.,Ltd.
No. 555 Qianmo road, Binjiang district, Hangzhou, Zhejiang
China

Equipment: Explosion -Proof Network Bullet Camera
Optional accessory: DS-2XE6212F-IS, DS-2XE6222F-IS, DS-2XE6232F-IS, DS-2XE6242F-IS,
DS-2XE6252F-IS, DS-2XE6262F-IS, DS-2XE6282F-IS

Type of Protection: Ex d, Ex tb

Marking: Ex db IIC T6 Gb
Ex tb IIIC T80°C Db IP68

Approved for issue on behalf of the IECEx
Certification Body:


Dipl. -Ing. Klauspeter Graffi

Position:

Head of Certification Body

Signature:
(for printed version)

Date:


2016-11-02

1. This certificate and schedule may only be reproduced in full.
2. This certificate is not transferable and remains the property of the issuing body.
3. The Status and authenticity of this certificate may be verified by visiting the [Official IECEx Website](http://www.iecex.com).

Certificate issued by:

TUV Rheinland Industrie Service GmbH
Am Grauen Stein
51105 Cologne
Germany





IECEX Certificate of Conformity

Certificate No: IECEX TUR 16.0047X Issue No: 0
Date of Issue: 2016-11-02 Page 2 of 3
Manufacturer: Hangzhou Hikvision Digital Technology Co.,Ltd.
No. 555 Qianmo road, Binjiang district, Hangzhou, Zhejiang
China

Additional Manufacturing location(s):

This certificate is issued as verification that a sample(s), representative of production, was assessed and tested and found to comply with the IEC Standard list below and that the manufacturer's quality system, relating to the Ex products covered by this certificate, was assessed and found to comply with the IECEx Quality system requirements. This certificate is granted subject to the conditions as set out in IECEx Scheme Rules, IECEx 02 and Operational Documents as amended.

STANDARDS:

The electrical apparatus and any acceptable variations to it specified in the schedule of this certificate and the identified documents, was found to comply with the following standards:

IEC 60079-0 : 2011 Explosive atmospheres - Part 0: General requirements
Edition:6.0
IEC 60079-1 : 2014-06 Explosive atmospheres - Part 1: Equipment protection by flameproof enclosures "d"
Edition:7.0
IEC 60079-31 : 2013 Explosive atmospheres - Part 31: Equipment dust ignition protection by enclosure "t"
Edition:2

This Certificate does not indicate compliance with electrical safety and performance requirements other than those expressly included in the Standards listed above.

TEST & ASSESSMENT REPORTS:

A sample(s) of the equipment listed has successfully met the examination and test requirements as recorded in

Test Report:

[DE/TUR/ExTR16.0047/00](#)

Quality Assessment Report:

[DE/TUR/QAR16.0018/00](#)



IECEx Certificate of Conformity

Certificate No: IECEx TUR 16.0047X

Issue No: 0

Date of Issue: 2016-11-02

Page 3 of 3

Schedule

EQUIPMENT:

Equipment and systems covered by this certificate are as follows:

The Explosion -Proof Network Bullet Camera is a surveillance product capable of video/audio collecting, smart encoding and network transmitting. It adopts an embedded system and a high-performed hardware process platform to achieve good stability and reliability.

The product adopts a stainless steel enclosure, receiving an IP68 rating for ingress protection. And it apply to oil industry, mine fields, chemical industry, port, grain processing industry, etc.

CONDITIONS OF CERTIFICATION: YES as shown below:

1. Ambient temperature: -30°C - +60°C
2. WARNING – DO NOT OPEN WHEN ENERGIZED
3. WARNING – POTENTIAL ELECTROSTATIC CHARGING HAZARD – SEE INSTRUCTIONS
4. When assembly, operation and maintenance, the operator must follow the requirements of the IEC 60079-14: latest version Explosive atmospheres- Part 14: Electrical installations design, selection and erection, beside of the manufacturer's operating instructions or its National equivalent.
5. Repair and overhaul shall comply with IEC 60079-19: latest version or its National equivalent.

Annex:

[DE-IECEx_TUR_16.0047 X_00_Attachment_2016-11-02.pdf](#)



Attachment to Certificate
IECEX TUR 16.0047 X
Revision 0

Attachment to to Certificate IECEx TUR 16.0047 X

Device: Explosion -Proof Network Bullet Camera
DS-2XE6212F-IS, DS-2XE6222F-IS, DS-2XE6232F-IS,
DS-2XE6242F-IS, DS-2XE6252F-IS, DS-2XE6262F-IS,
DS-2XE6282F-IS

Manufacturer: Hangzhou Hikvision Digital Technology Co.,Ltd

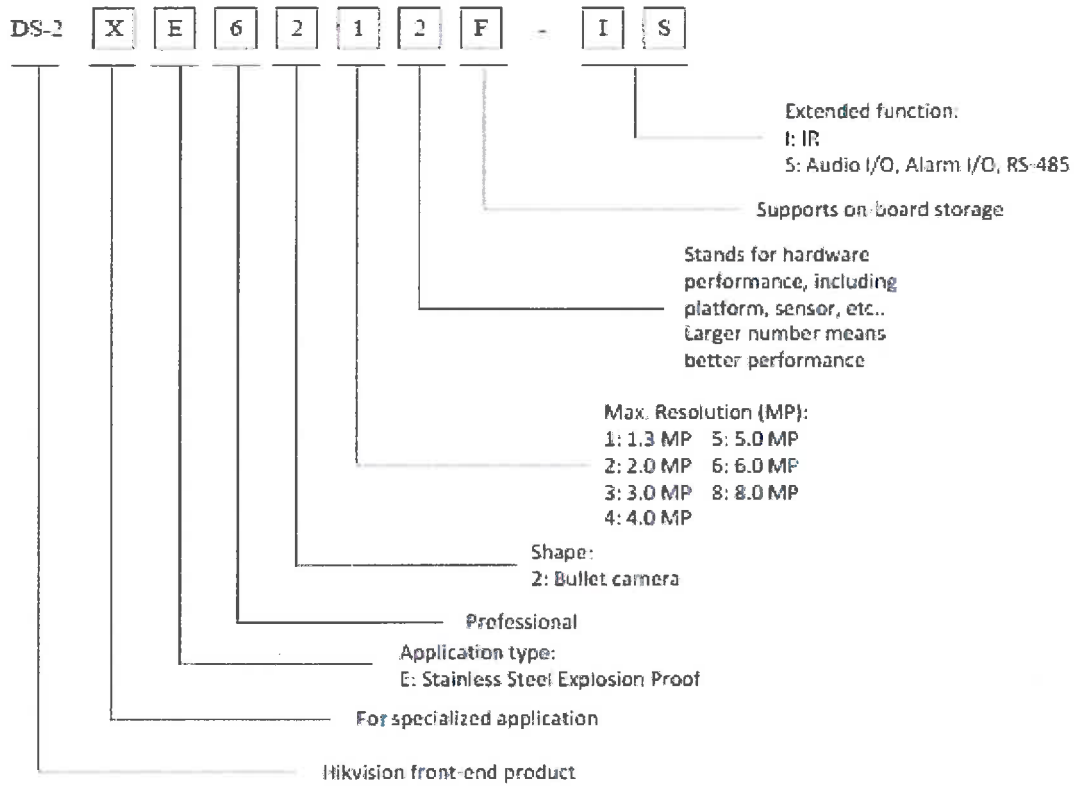
Address: No. 555, Qianmo Road, Binjiang District, Hangzhou, Zhejiang, P.R. China

General product information:

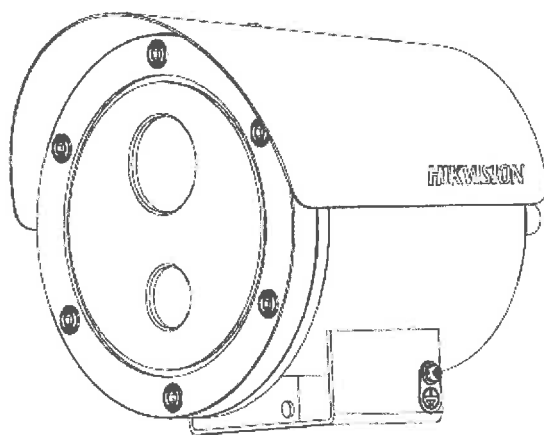
The Explosion -Proof Network Bullet Camera is a surveillance product capable of video/audio collecting, smart encoding and network transmitting. It adopts an embedded system and a high-performed hardware process platform to achieve good stability and reliability. The product adopts a stainless steel enclosure, receiving an IP68 rating for ingress protection. And it apply to oil industry, mine fields, chemical industry, port, grain processing industry, etc.

Model and type designation of the product:

Explanation of model naming:



Explosion-Proof Network Bullet Camera reference drawing:





Attachment to Certificate
IECEX TUR 16.0047 X
Revision 0

“Specific Conditions of Use”:

1. Ambient temperature: -30°C- +60°C
2. WARNING – DO NOT OPEN WHEN ENERGIZED
3. WARNING – POTENTIAL ELECTROSTATIC CHARGING HAZARD – SEE INSTRUCTIONS
4. When assembly, operation and maintenance, the operator must follow the requirements of the IEC 60079-14: latest version Explosive atmospheres- Part 14: Electrical installations design, selection and erection, beside of the manufacturer’s operating instructions or its National equivalent.
5. Repair and overhaul shall comply with IEC 60079-19: latest version or its National equivalent.